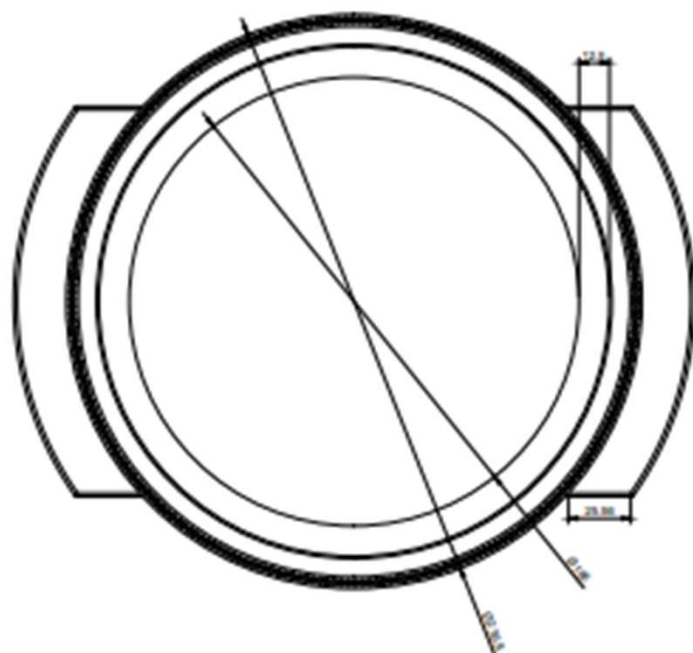
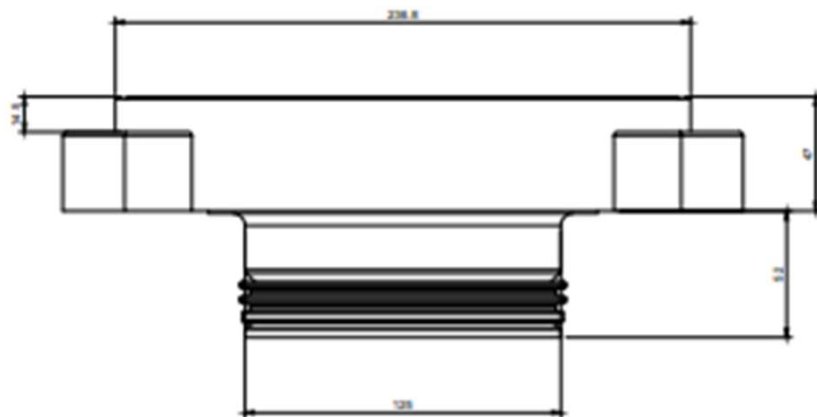
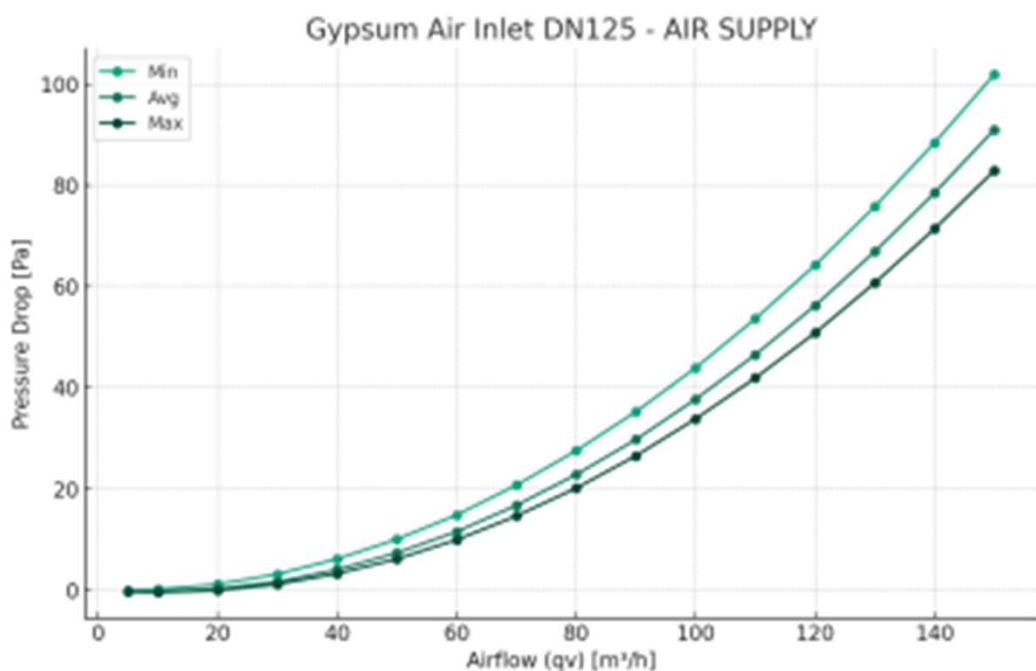


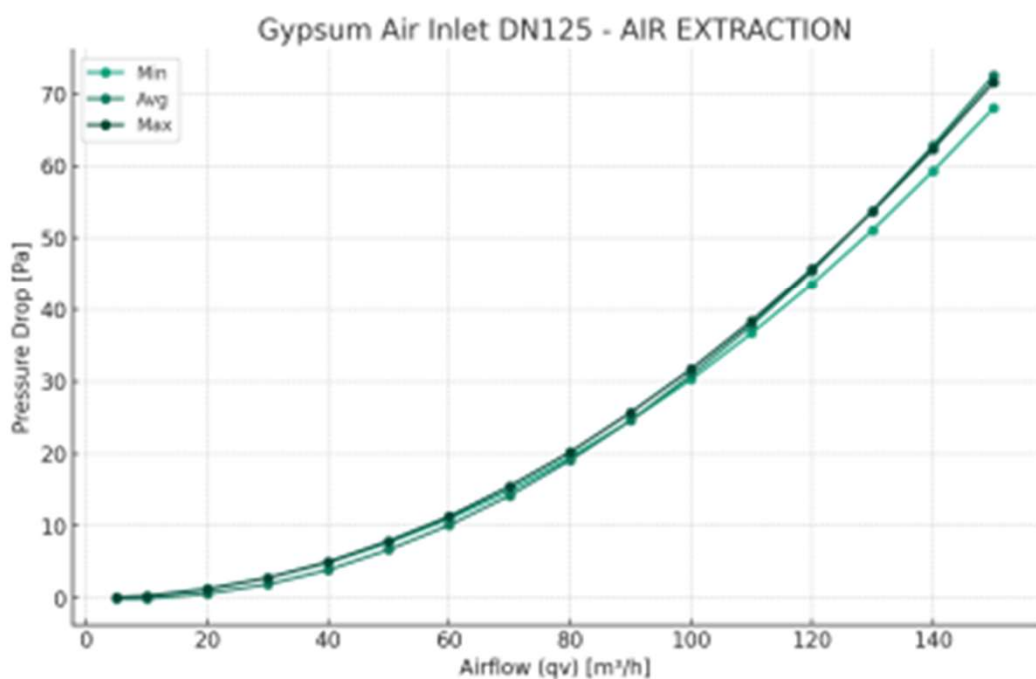
Round Plaster Diffuser for Plasterboard Ceilings. Connection diameter 125 mm.

- **Intended for:** Single/Double-layer's plasterboard ceilings
- **Connection Diameter:** 125mm
- **Shape:** Round
- **Type:** Seamlessly plaster-integrated
- **Height:** 45mm
- **Material:** Plaster composite
- **Weight:** 2.7 kg
- **Country of Origin:** Lithuania
- **Additional Information:** The cap is attached with the help of magnets. The cap has a protective spring. The cap features aerodynamic curve.





The chart presented here shows pressure drops with "Min", "Avg", and "Max" values, in relation to the airflow (qv) through the gypsum air inlet DN125 ("Gypsum Air Inlet DN125 - AIR SUPPLY"). The lines reflect different levels of pressure drops at various airflow volumes.



Here is the visualization for the Gypsum Air Inlet DN125 - AIR EXTRACTION, displaying the pressure drop (Pa) against the airflow (qv in m³/h) with "Min", "Avg", and "Max" values

